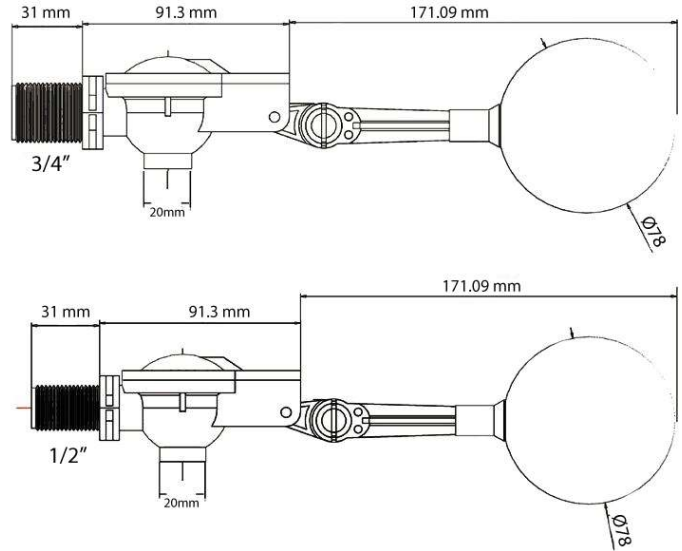


# [AQT15/20 CH]

# Float Valve

Designed for shutting off water and flow in desired application. It acts immediately when the water level reaches the set point. The creative filter ensures safe working and better quality.



Model	Thread Size	Valve Material	Ball Material	Ball Diameter	Plug Material	Pressure	Water Temp	Flow Rate	Length (max)
AQT15CH	1/2" BSP	ABS	PE	95mm	NR	0.05-1.2 MPa	-35°C to +75°C	220 (P=0.6 Mpa)	25.50cm
AQT20CH	3/4" BSP	ABS	PE	95mm	NR	0.05-1.2 MPa	-35°C to +75°C	310 (P=0.6 Mpa)	25.50cm