

Product Information

Temperature Limit Value Relay GS1000



Characteristics

The monitoring device GS1000 can be used for monitoring of temperatures in process and automation systems.

Technical data

Power supply

- Supply voltage : $U_c \pm 10\%$
- Frequency : 47..63 Hz
- Power consumption : 4 VA
- Operating temperature : -10..+60 °C
- CE - conformity : EN 61326-1:2013; EN 60664-1:2007

Input

- RTD Pt100 : sensor current 1 mA
- Thermocouple : $R_i > 1\text{ M}\Omega$
- Switching hysteresis : approx. 1 %
- Scale accuracy : 2 %
- Repeatability : 0.2 %
- Accuracy : RTD Pt100 0.7 %
Thermocouple 0.3 % non linearized

Temperature coefficient

- Pt100 / Thermocouple : 0.035 %/K

Outputs

- Limit relay : 250 V AC < 250 VA < 2 A
100 V DC < 50 W < 1 A

True value

- Voltage : 0..10 V DC, max, 10 mA
- Current (optional) : 0..20 mA or 4..20 mA, burden max. 500 Ω

Case

- : Polycarbonate UL94V-0 acc. to DIN EN 60715:2001-09

Weight

- : approx. 400 g

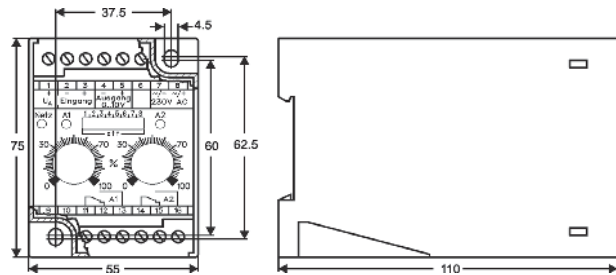
Electrical connection

- : Screw terminals with pressure plate, max. 4 mm²

Protection class

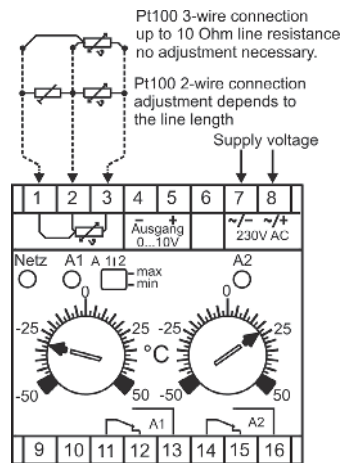
- : case IP40, terminals IP20 BGV A3

Dimensions

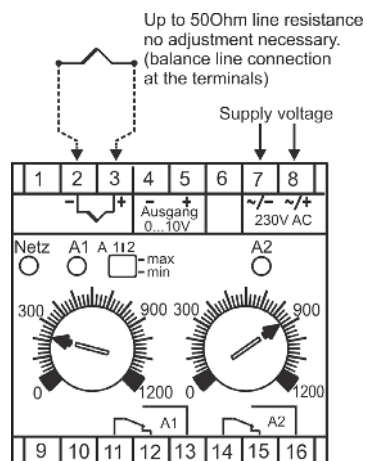


Connection diagrams

Pt100 scale °C



Thermocouple scale °C



Continue next page

Product Information

Ordering code

GS1000 - 1. - 2. - 3. - 4.

1. Limit contact (SPDT)	
1	1 contact max. 250 V AC/2 A
2	2 contacts max. 250 V AC/2 A
2. True value output	
1	0..10 V (max. 10 mA) standard
2	0..20 mA burden max. 500Ω
3	4..20 mA burden max. 500Ω
3. Supply voltage	
0	230 V ±10 % 50-60Hz
5	20..28 V DC isolated
4. Measuring input /scale	
51	Pt100, -50..+50 °C
52	Pt100, 0..50 °C
53	Pt100, 0..100 °C
535	Pt100, 0..150 °C
54	Pt100, 0..200 °C
55	Pt100, 0..300 °C
56	Pt100, 0..400 °C
57	Pt100, 0..600 °C
61	Fe-CuNi (J), 0..300 °C
62	Fe-CuNi (J), 0..450 °C
63	Fe-CuNi (J), 0..600 °C
71	NiCr-Ni (K), 0..600 °C
72	NiCr-Ni (K), 0..900 °C
73	NiCr-Ni (K), 0..1200 °C
81	PtRh-Pt (S), 0..1200 °C
82	PtRh-Pt (S), 0..1600 °C