

[FC Series] Hydraulic Pressure Diaphragm Operated Pressure Switch



- Ranges available up to 400 bar.
- Maximum working pressures up to 500 bar.
- Black Epoxy powder coated die cast aluminium and all stainless steel enclosures.
- Flameproof EExd IIC T6 – ATEX & IECEx.
- Field set point adjustment against a reference scale - optional.
- SPDT or DPDT switching and optional gold alloy contacts.
- Optional wetted materials include – Monel, Titanium, Tantalum & Hastelloy C
- Terminal block for easy field wiring.
- Hermetically sealed microswitch options.
- 316 stainless steel wetted parts.
- NACE MR-01-75 compatibility – optional.
- Quality Management System – ISO 9001:2008 thru BSI Management Systems

Approximate Weight:

Pressure switches with Aluminium enclosure : 1.95 Kg.

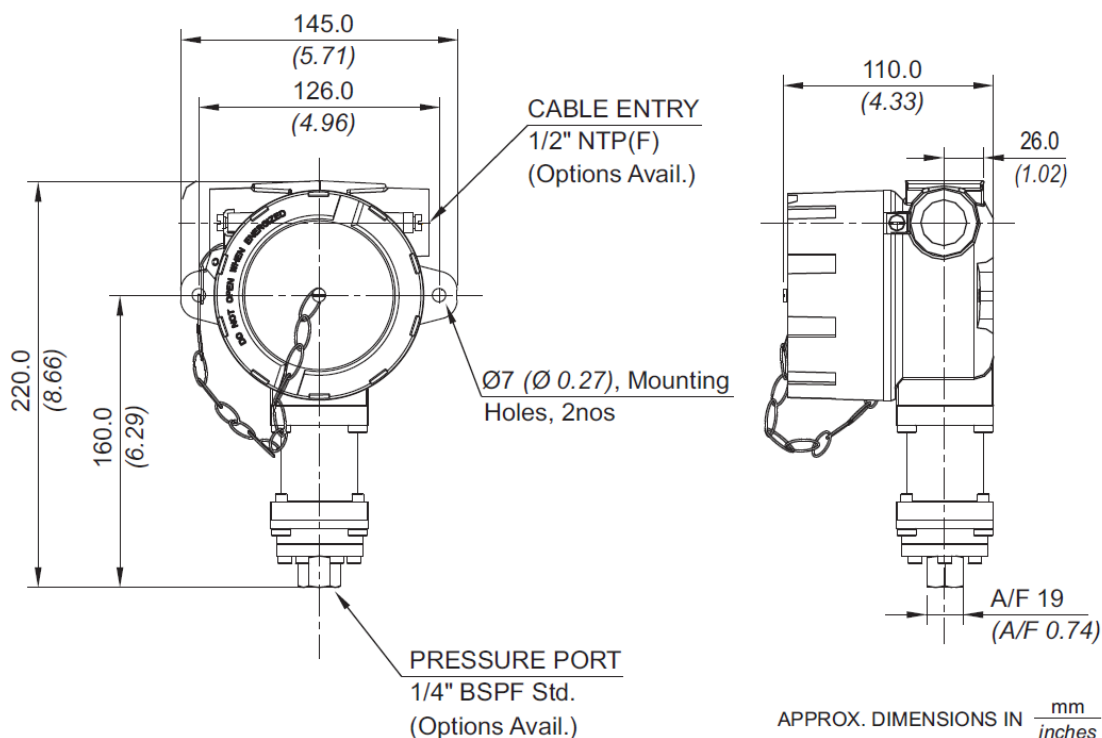
Pressure switches with Grey CI enclosure : 4.35 Kg.

Pressure switches with SS enclosure : 4.45 Kg.

Applications:

For high pressure cylinder testing jigs, CNG/LPG gas skids, high pressure compressors, etc.

Installation Diagram



[FC Series] Hydraulic Pressure Diaphragm Operated Pressure Switch

Description: FC= Flameproof pressure switch, ATEX, IECEx approved, with Aluminium head as per IS/IEC 60079-1 for Gas Gr. IIC

Enclosures				Code
Hazardous Area enclosure – Current marking: Ex d IIC Gb Ex tb IIIC Db T85°C (-20°C < Ta < +60°C) IP66		ATEX		FC
		IECEx		FC
Cable Entry	Stainless Steel		Aluminium	
	1/2" NPT	7	1/2" NPT	1
	3/4" NPT	8	3/4" NPT	2
	M20x1.5	9	M20 x 1.5	3
Scale				
		No scale		P1
		Scale in Bar		P2
		Scale in PSI		P3
Ranges...	Switching Range (Bar)	Differential bar Approximate Maximum for "A1" Microswitch	Max. Bar	Code
	0.5 - 10	0.5	150	H1T
	2 - 20	2	200	H2T
	5 - 40	5	200	H4T
	10 - 100	12	200	H1H
	7 - 200	24	400	H2H
	40 - 400	70	500	H4H
Microswitch Type				
General Purpose 15A, 250VAC				A1
Hermetically Sealed 4 A, 115 VAC / 28 VDC				A2
Gold Plated contacts for low voltage and I.S. applications				A3
High DC ratings				A5
Adjustable deadband				A6
2SPDT				A7
Pressure Housing material & Process connection size				
		SS316	1/4" BSPF	S1
		SS316	1/4" NPTF	S2
Diaphragm				
		Teflon		2